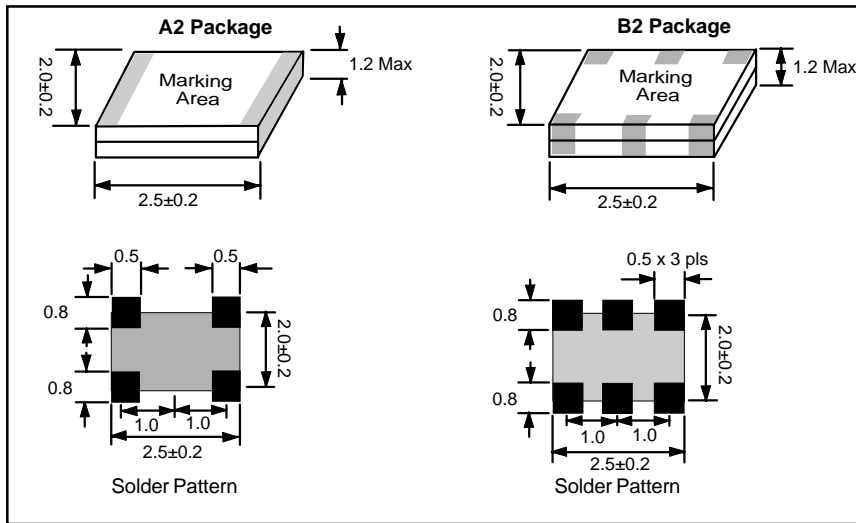


- **Features**
 - Wide Frequency Range
 - Optional internal load capacitance
 - Compact Design of 2.5 x 2.0 x 1.2 mm
- **Applications**
 - Computers and Peripherals
 - Consumer Products
- **Specifications**

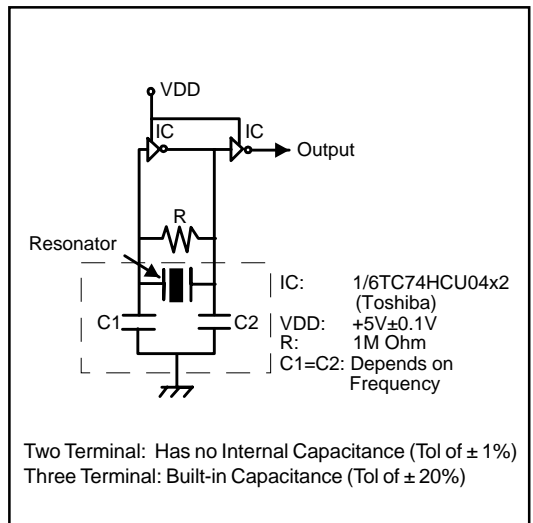


| Parameter | | Specification |
|--------------------------------------|-----------|----------------------------------|
| Frequency Range | | 20.00 to 48.00 MHz |
| Frequency Tolerance at 25° C | | ±0.5% Maximum |
| Frequency Stability over Temperature | | ±0.3% Maximum from initial value |
| Temperature Range | Operating | -20° C to +80° C |
| | Storage | -40° C to +85° C |
| Aging | | ±0.3 % Maximum over 10 years |
| Resonant Resistance | | 70 Ohm Maximum |
| Built in Capacitance | | 8 to 12 pF (Three Terminal Only) |

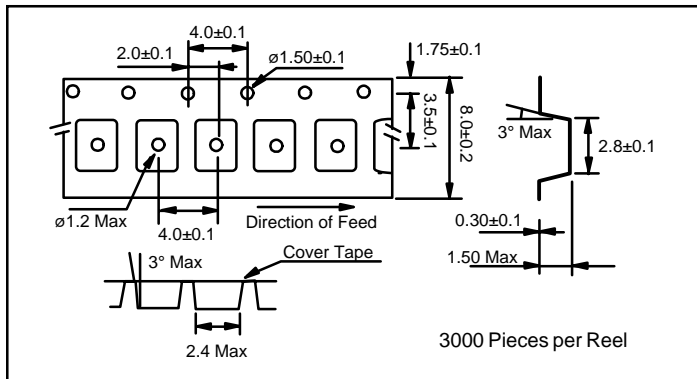
● SMD Package Dimensions



● Test Circuit



● CarrierTape Dimensions



● Part Numbering System

| Series | Frequency | Package Type |
|--------|-----------|--------------|
| | SMRS | in MHz |

Example: SMRS-33.86-B2

Packaging: 3000 per Reel

● Features

- Wide Frequency Range
- Optional internal load capacitance
- Compact Design of 3.7 x 3.1 x 1.5 mm

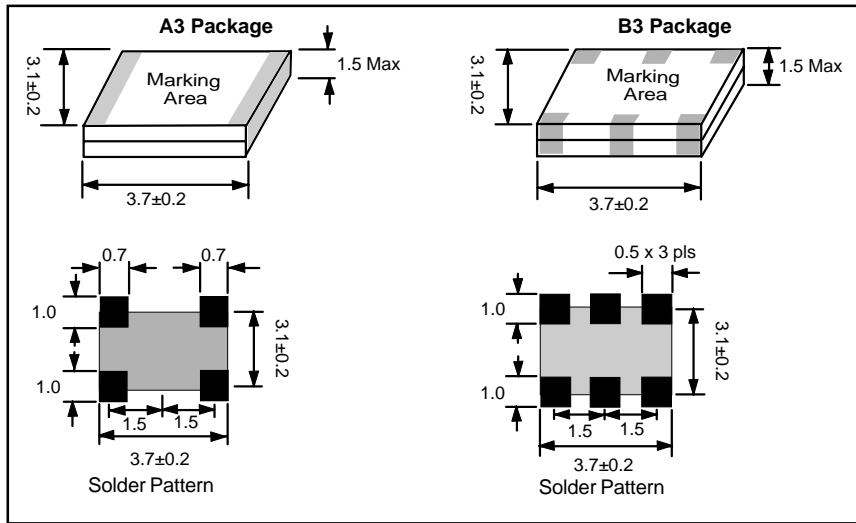
● Applications

- Computers and Peripherals
- Consumer Products

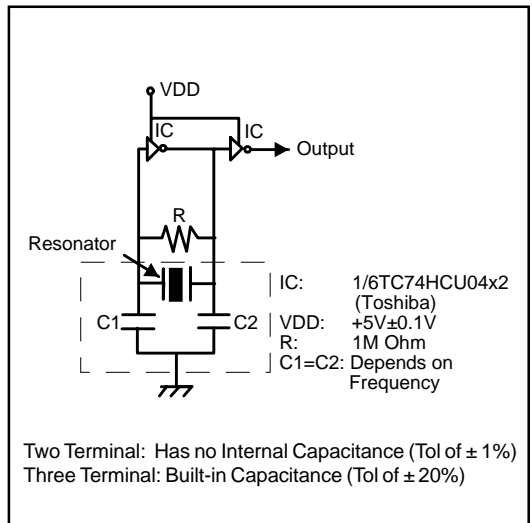
● Specifications

| Parameter | | Specification |
|--------------------------------------|-----------|-----------------------------------|
| Frequency Range | | 8.00 to 50.00 MHz |
| Frequency Tolerance at 25° C | | ±0.5% Maximum |
| Frequency Stability over Temperature | | ±0.3% Maximum from initial value |
| Temperature Range | Operating | -20° C to +80° C |
| | Storage | -40° C to +85° C |
| Aging | | ±0.3 % Maximum over 10 years |
| Resonant Resistance | | 50 Ohm Maximum |
| Built in Capacitance | | 10 to 16 pF (Three Terminal Only) |

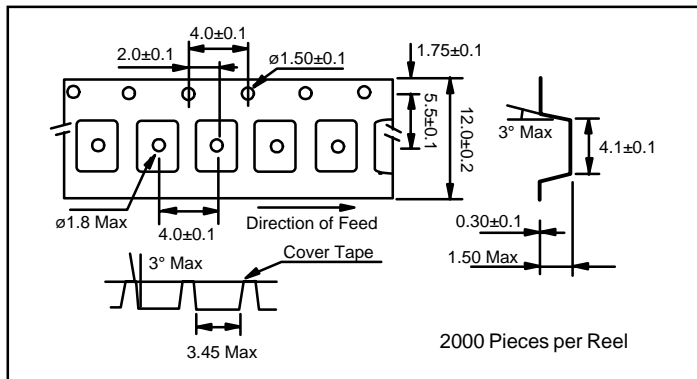
● SMD Package Dimensions



● Test Circuit



● CarrierTape Dimensions



● Part Numbering System

| Series | Frequency | Package Type |
|--------|-----------|---------------------|
| SMRS | in MHz | A3 (Two Terminal) |
| | | B3 (Three Terminal) |

Example: SMRS-18.43-A3

Packaging: 2000 per Reel